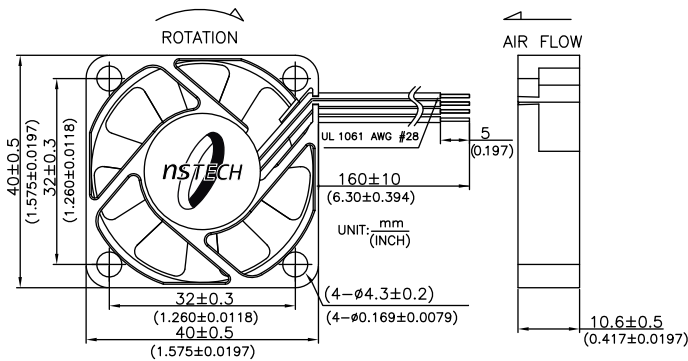


# Advance Series(PA) 40mmx40mmx10mm

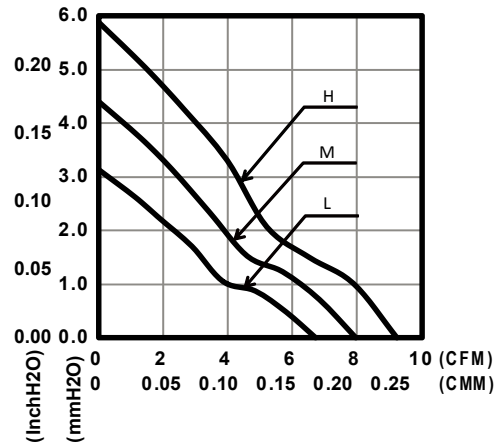


- Bearing Type : FLB, Sleeve, Ball Bearing
- Function Type (Optional) : FG Signal
- Protection (Optional) :  
Auto Restart Protection
- Lead Wire :  
UL 1061 AWG #28 OR Equivalent  
Red Wire : Positive (+)  
Black Wire : Negative (-)  
Yellow Wire : FG Signal

## DIMENSIONS DRAWING



## PERFORMANCE CURVES



## Specification

Model	Function Type	Rated Voltage	Operating Voltage	Rated Current	Input Current	Input Power	Rated Speed	Air Flow		Air Pressure		Noise
		VDC	VDC	Amp	Amp	Watt	RPM	CMM	CFM	mmH <sub>2</sub> O	InH <sub>2</sub> O	
PAAD04010SL	0000/F000	5	4~5.75	0.16	0.11	0.55	5600	0.19	6.72	3.14	0.12	26.5
PAAD04010SM	P000/PF00	5	4~5.75	0.19	0.16	0.80	6600	0.23	7.97	4.41	0.17	31.0
PAAD14010SL	0000/F000 P000/PF00	12	6~13.8	0.14	0.08	0.96	5600	0.19	6.72	3.14	0.12	26.5
PAAD14010SM		12	6~13.8	0.16	0.10	1.20	6600	0.23	7.97	4.41	0.17	31.0
PAAD14010SH		12	6~13.8	0.18	0.12	1.44	7700	0.26	9.22	5.88	0.23	35.5
PAAD04010BL	0000/F000	5	4~5.75	0.16	0.11	0.55	5600	0.19	6.72	3.14	0.12	25.0
PAAD04010BM	P000/PF00	5	4~5.75	0.19	0.16	0.80	6700	0.23	7.97	4.41	0.17	29.5
PAAD14010BL	0000/F000 P000/PF00	12	6~13.8	0.14	0.08	0.96	5600	0.19	6.72	3.14	0.12	25.0
PAAD14010BM		12	6~13.8	0.16	0.10	1.20	6600	0.23	7.97	4.41	0.17	29.5
PAAD14010BH		12	6~13.8	0.18	0.12	1.44	7700	0.26	9.22	5.88	0.23	34.0

\* Specifications are subject to change without notice

