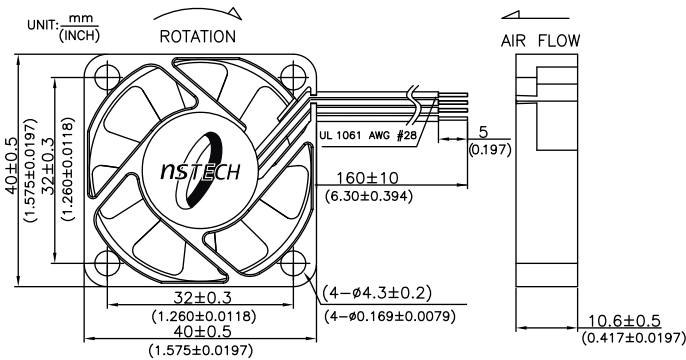


Superior Series(PS) 40mmx40mmx10mm

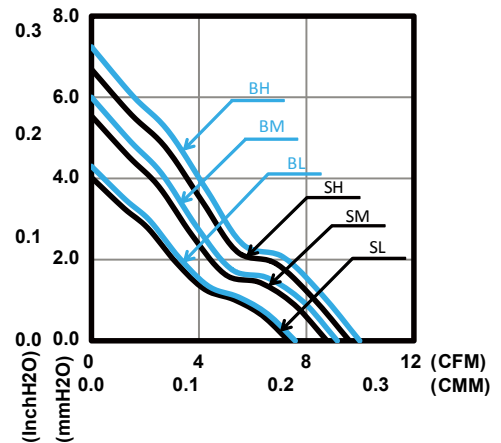


- Bearing Type : FLB, Ball Bearing
- Function Type (Optional): FG Signal, PWM
- Protection :
Auto Restart Protection, Polarity Reverse Protection
- Lead Wire :
UL 1061 AWG #28 OR Equivalent
Red Wire : Positive (+)
Black Wire : Negative (-)
Yellow Wire : FG Signal
White Wire : RD Signal
Blue Wire : PWM

DIMENSIONS DRAWING



PERFORMANCE CURVES



| Specification | | FLB | | | | | | | | | | |
|---------------|------------------------|---------------|-------------------|---------------|---------------|-------------|-------------|----------|-------|--------------------|--------------------|-------|
| Model | Function Type | Rated Voltage | Operating Voltage | Rated Current | Input Current | Input Power | Rated Speed | Air Flow | | Air Pressure | | Noise |
| | | VDC | VDC | Amp | Amp | Watt | RPM | CMM | CFM | mmH ₂ O | InH ₂ O | |
| PSAD04010SL | P000/PF00 M000/MF00 | 5 | 4~5.75 | 0.12 | 0.08 | 0.40 | 6200 | 0.21 | 7.36 | 4.03 | 0.16 | 29.0 |
| PSAD04010SM | | 5 | 4~5.75 | 0.18 | 0.13 | 0.65 | 7200 | 0.25 | 8.78 | 5.53 | 0.22 | 32.5 |
| PSAD04010SH | | 5 | 4~5.75 | 0.24 | 0.18 | 0.90 | 7900 | 0.27 | 9.60 | 6.68 | 0.26 | 35.5 |
| PSAD14010SL | P000/PF00 M000/MF00 | 12 | 6~13.8 | 0.07 | 0.06 | 0.66 | 6200 | 0.21 | 7.36 | 4.03 | 0.16 | 29.0 |
| PSAD14010SM | | 12 | 6~13.8 | 0.09 | 0.07 | 0.84 | 7200 | 0.25 | 8.78 | 5.53 | 0.22 | 32.5 |
| PSAD14010SH | | 12 | 6~13.8 | 0.13 | 0.10 | 1.20 | 7900 | 0.27 | 9.60 | 6.68 | 0.26 | 35.5 |
| PSAD04010BL | P000/PF00 M000/MF00 | 5 | 4~5.75 | 0.12 | 0.08 | 0.40 | 6400 | 0.22 | 7.60 | 4.29 | 0.17 | 28.5 |
| PSAD04010BM | | 5 | 4~5.75 | 0.18 | 0.13 | 0.65 | 7500 | 0.26 | 9.15 | 6.00 | 0.24 | 33.0 |
| PSAD04010BH | | 5 | 4~5.75 | 0.24 | 0.16 | 0.80 | 8300 | 0.28 | 10.00 | 7.24 | 0.29 | 35.5 |
| PSAD14010BL | P000/PF00 M000/MF00 | 12 | 6~13.8 | 0.07 | 0.06 | 0.72 | 6400 | 0.22 | 7.60 | 4.29 | 0.17 | 28.5 |
| PSAD14010BM | | 12 | 6~13.8 | 0.09 | 0.07 | 0.84 | 7500 | 0.26 | 9.15 | 6.00 | 0.24 | 33.0 |
| PSAD14010BH | | 12 | 6~13.8 | 0.13 | 0.10 | 1.20 | 8300 | 0.28 | 10.00 | 7.24 | 0.29 | 35.5 |

* Specifications are subject to change without notice