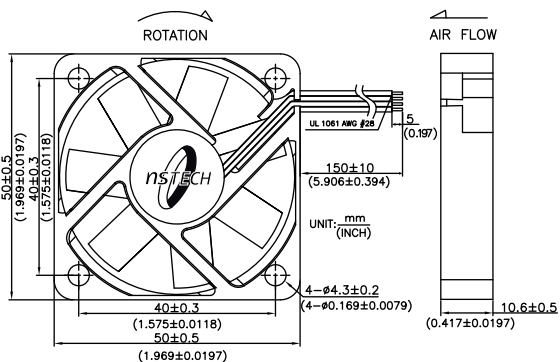


# Advance Series(PA) 50mmx50mmx10mm

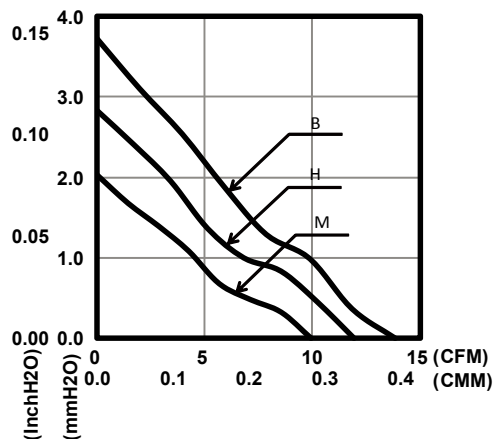


- Bearing Type : FLB, Sleeve, Ball Bearing
- Function Type (Optional) : FG Signal
- Protection (Optional) :  
Auto Restart Protection
- Lead Wire :  
UL 1061 AWG #28 OR Equivalent  
Red Wire : Positive (+)  
Black Wire : Negative (-)  
Yellow Wire : FG Signal

## DIMENSIONS DRAWING



## PERFORMANCE CURVES



## Specification

Model	Function Type	Rated Voltage	Operating Voltage	Rated Current	Input Current	Input Power	Rated Speed	Air Flow		Air Pressure		Noise
		VDC	VDC	Amp	Amp	Watt	RPM	CMM	CFM	mmH <sub>2</sub> O	InH <sub>2</sub> O	
PAAD05010SM	0000/F000	5	4~5.75	0.24	0.11	0.55	4000	0.28	9.93	2.03	0.08	24.0
PAAD05010SH												
PAAD15010SM	0000/F000	12	6~13.8	0.11	0.08	0.96	4000	0.28	9.93	2.03	0.08	24.0
PAAD15010SH												
PAAD15010SB	0000/F000	12	6~13.8	0.21	0.12	1.44	5400	0.39	13.85	3.72	0.15	31.5
PAAD05010BM												
PAAD05010BH	0000/F000	5	4~5.75	0.30	0.18	0.90	4700	0.34	11.93	2.83	0.11	28.5
PAAD15010BM												
PAAD15010BH	P000/PF00	12	6~13.8	0.14	0.10	1.20	4700	0.34	11.93	2.83	0.11	28.5
PAAD15010BB												

\* Specifications are subject to change without notice

