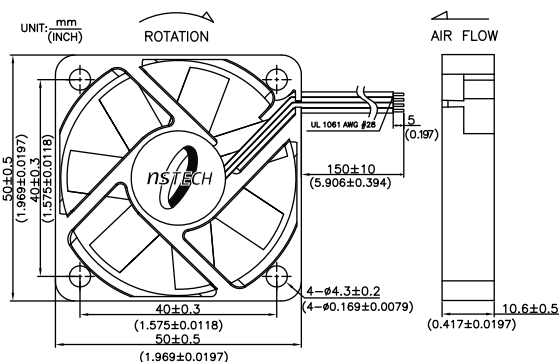


# Superior Series(PS) 50mmx50mmx10mm

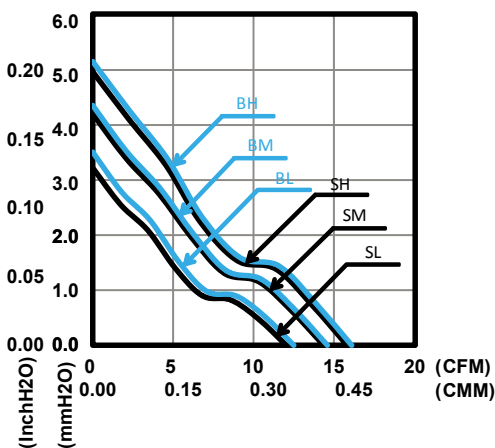


- Bearing Type : FLB, Ball Bearing
- Function Type (Optional): FG Signal, PWM
- Protection :  
Auto Restart Protection, Polarity Reverse Protection
- Lead Wire :  
UL 1061 AWG #28 OR Equivalent  
Red Wire : Positive (+)  
Black Wire : Negative (-)  
Yellow Wire : FG Signal  
White Wire : RD Signal  
Blue Wire : PWM

## DIMENSIONS DRAWING



## PERFORMANCE CURVES



PS SERIES



Specification		Rated Voltage	Operating Voltage	Rated Current	Input Current	Input Power	Rated Speed	Air Flow		Air Pressure		Noise
Model	Function Type	VDC	VDC	Amp	Amp	Watt	RPM	CMM	CFM	mmH <sub>2</sub> O	InH <sub>2</sub> O	dBA
PSAD05010SL	P000/PF00 M000/MF00	5	4~5.75	0.14	0.10	0.50	4700	0.34	12.0	3.22	0.13	28.0
PSAD05010SM		5	4~5.75	0.22	0.16	0.80	5500	0.41	14.3	4.19	0.17	32.0
PSAD05010SH		5	4~5.75	0.28	0.21	1.05	6000	0.45	15.8	4.97	0.20	35.5
PSAD15010SL	P000/PF00 M000/MF00	12	6~13.8	0.09	0.07	0.84	4700	0.34	12.0	3.22	0.13	28.0
PSAD15010SM		12	6~13.8	0.11	0.09	1.08	5500	0.41	14.3	4.19	0.17	32.0
PSAD15010SH		12	6~13.8	0.14	0.11	1.32	6000	0.45	15.8	4.97	0.20	35.5
PSAD05010BL	P000/PF00 M000/MF00	5	4~5.75	0.14	0.10	0.50	4900	0.35	12.5	3.50	0.14	30.0
PSAD05010BM		5	4~5.75	0.22	0.16	0.80	5600	0.41	14.6	4.34	0.17	33.5
PSAD05010BH		5	4~5.75	0.28	0.21	1.05	6100	0.46	16.1	5.15	0.20	36.0
PSAD15010BL	P000/PF00 M000/MF00	12	6~13.8	0.09	0.07	0.84	4900	0.35	12.5	3.50	0.14	30.0
PSAD15010BM		12	6~13.8	0.11	0.09	1.08	5600	0.41	14.6	4.34	0.17	33.5
PSAD15010BH		12	6~13.8	0.14	0.11	1.32	6100	0.46	16.1	5.15	0.20	36.0

\* Specifications are subject to change without notice