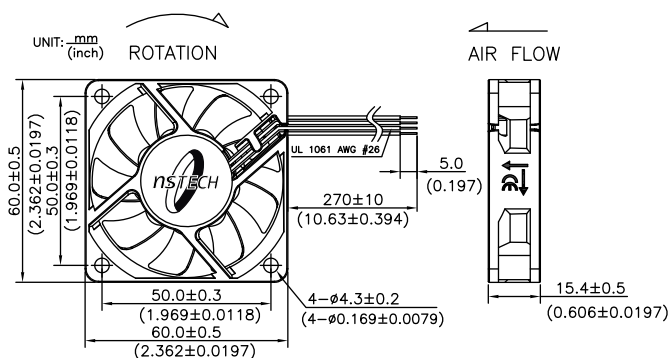


Superior Series(PS) 60mmx60mmx15mm

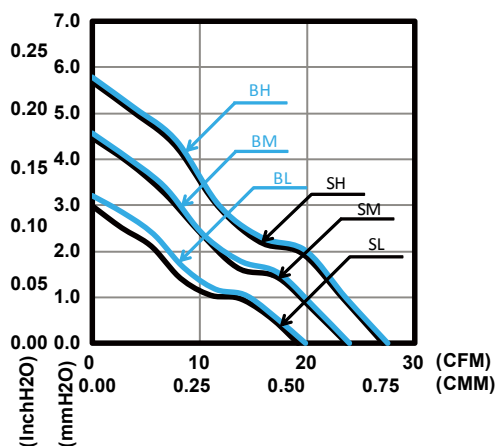


- Bearing Type : FLB, Ball Bearing
- Function Type (Optional) : FG Signal, RD Signal, PWM
- Protection (Optional) :
Auto Restart Protection, Polarity Reverse Protection
- Lead Wire :
UL 1061 AWG #26 OR Equivalent
Red Wire : Positive (+)
Black Wire : Negative (-)
Yellow Wire : FG Signal
White Wire : RD Signal
Blue Wire : PWM

DIMENSIONS DRAWING



PERFORMANCE CURVES



Specification

Model	Function Type	Rated Voltage	Operating Voltage	Rated Current	Input Current	Input Power	Rated Speed	Air Flow		Air Pressure		Noise
		VDC	VDC	Amp	Amp	Watt	RPM	CMM	CFM	mmH ₂ O	InH ₂ O	
PSAD06015SL	P000/PF00	5	4.5~5.5	0.22	0.17	0.85	3600	0.54	19.2	2.99	0.12	27.5
PSAD06015SM	PR00/M000	5	4.5~5.5	0.36	0.28	1.40	4400	0.67	23.7	4.47	0.18	32.5
PSAD16015SL	P000/PF00	12	6~13.8	0.13	0.10	1.20	3600	0.54	19.2	2.99	0.12	27.5
PSAD16015SM	PR00/M000	12	6~13.8	0.17	0.13	1.56	4400	0.67	23.7	4.47	0.18	32.5
PSAD16015SH	MF00/MR00	12	6~13.8	0.22	0.17	2.04	5000	0.77	27.1	5.67	0.22	36.0
PSAD06015BL	P000/PF00	5	4.5~5.5	0.22	0.17	0.85	3700	0.56	19.8	3.20	0.13	28.5
PSAD06015BM	PR00/M000	5	4.5~5.5	0.36	0.29	1.45	4500	0.68	24.0	4.57	0.18	34.0
PSAD16015SBL	P000/PF00	12	6~13.8	0.13	0.08	0.96	3700	0.56	19.8	3.20	0.13	28.5
PSAD16015SBM	PR00/M000	12	6~13.8	0.17	0.13	1.56	4500	0.68	24.0	4.57	0.18	34.0
PSAD16015SBH	MF00/MR00	12	6~13.8	0.22	0.17	2.04	5100	0.78	27.5	5.78	0.23	37.5

* Specifications are subject to change without notice

