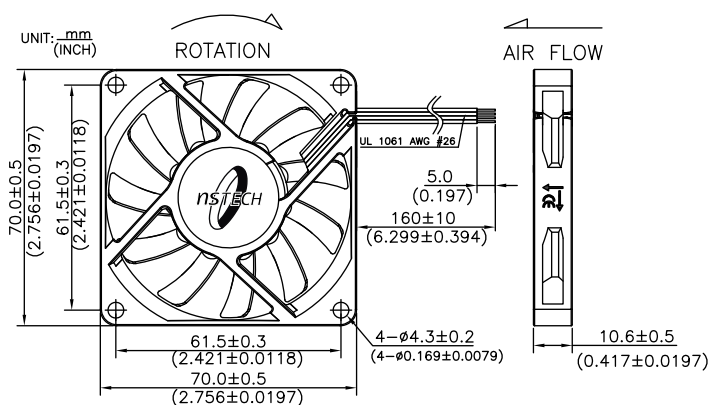


Superior Series(PS) 70mmx70mmx10mm

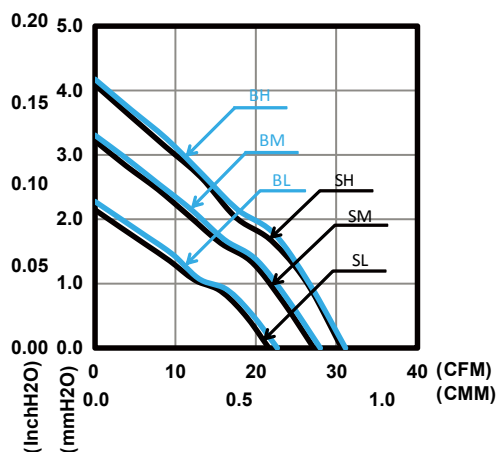


- Bearing Type : FLB, Ball Bearing
- Function Type (Optional): FG Signal, RD Signal, PWM
- Protection :
Auto Restart Protection, Polarity Reverse Protection
- Lead Wire :
UL 1061 AWG #26 OR Equivalent
Red Wire : Positive (+)
Black Wire : Negative (-)
Yellow Wire : FG Signal, RD Signal
Blue Wire : PWM

DIMENSIONS DRAWING



PERFORMANCE CURVES



PS SERIES



Specification		Rated Voltage	Operating Voltage	Rated Current	Input Current	Input Power	Rated Speed	Air Flow		Air Pressure		Noise
Model	Function Type	VDC	VDC	Amp	Amp	Watt	RPM	CMM	CFM	mmH ₂ O	InH ₂ O	dBA
PSAD07010SL	P000/PF00	5	4.5~5.5	0.23	0.18	0.90	3100	0.61	21.6	2.15	0.08	28.0
PSAD07010SM	PR00/M000	5	4.5~5.5	0.39	0.31	1.55	3800	0.77	27.2	3.21	0.13	34.5
	MF00/MR00											
PSAD17010SL	P000/PF00	12	6~13.8	0.15	0.11	1.32	3100	0.61	21.6	2.15	0.08	28.0
PSAD17010SM	PR00/M000	12	6~13.8	0.20	0.16	1.92	3800	0.77	27.2	3.21	0.13	34.5
PSAD17010SH	MF00/MR00	12	6~13.8	0.27	0.22	2.64	4300	0.87	30.7	4.09	0.16	38.0
PSAD07010BL	P000/PF00	5	4.5~5.5	0.23	0.18	0.90	3200	0.64	22.7	2.28	0.09	30.0
PSAD07010BM	PR00/M000	5	4.5~5.5	0.39	0.30	1.50	3900	0.79	28.0	3.31	0.13	36.0
	MF00/MR00											
PSAD17010BL	P000/PF00	12	6~13.8	0.15	0.12	1.44	3200	0.64	22.7	2.28	0.09	30.0
PSAD17010BM	PR00/M000	12	6~13.8	0.20	0.16	1.92	3900	0.79	28.0	3.31	0.13	36.0
PSAD17010BH	MF00/MR00	12	6~13.8	0.27	0.22	2.64	4400	0.88	31.1	4.17	0.16	39.5

* Specifications are subject to change without notice