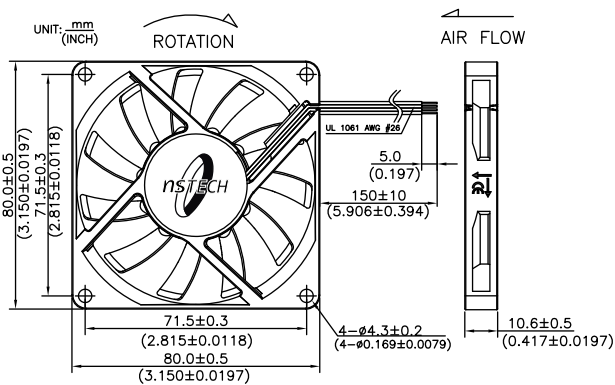


# Superior Series(PS) 80mmx80mmx10mm

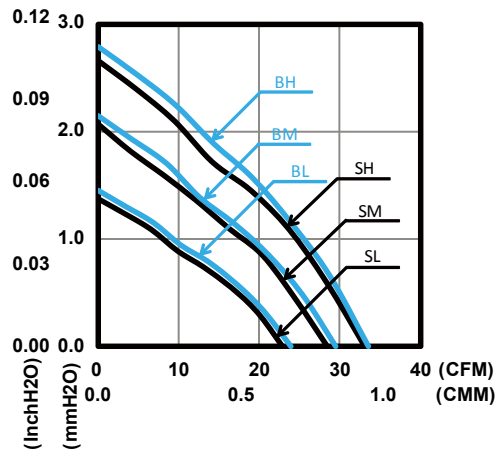


- Bearing Type : FLB, Ball Bearing
- Function Type (Optional): FG Signal, RD Signal, PWM
- Protection :  
Auto Restart Protection, Polarity Reverse Protection
- Lead Wire :  
UL 1061 AWG #26 OR Equivalent  
Red Wire : Positive (+)  
Black Wire : Negative (-)  
Yellow Wire : FG Signal  
White Wire : RD Signal  
Blue Wire : PWM

## DIMENSIONS DRAWING



## PERFORMANCE CURVES



## Specification

Model	Function Type	Rated Voltage	Operating Voltage	Rated Current	Input Current	Input Power	Rated Speed	Air Flow		Air Pressure		Noise
		VDC	VDC	Amp	Amp	Watt	RPM	CMM	CFM	mmH <sub>2</sub> O	InH <sub>2</sub> O	
PSAD08010SL	P000/PF00	5	4.5~5.5	0.22	0.17	0.85	2300	0.65	22.9	1.37	0.05	26.0
PSAD08010SM	PR00/M000	5	4.5~5.5	0.35	0.28	1.40	2800	0.81	28.5	2.07	0.08	32.0
PSAD18010SL	P000/PF00	12	6~13.8	0.12	0.09	1.08	2300	0.65	22.9	1.37	0.05	26.0
PSAD18010SM	PR00/M000	12	6~13.8	0.16	0.13	1.56	2800	0.81	28.5	2.07	0.08	32.0
PSAD18010SH	MF00/MR00	12	6~13.8	0.24	0.19	2.28	3200	0.94	33.1	2.66	0.11	35.5
PSAD08010BL	P000/PF00	5	4.5~5.5	0.22	0.16	0.80	2400	0.68	23.9	1.46	0.06	28.0
PSAD08010BM	PR00/M000	5	4.5~5.5	0.35	0.28	1.40	2900	0.83	29.5	2.15	0.09	33.0
PSAD18010BL	P000/PF00	12	6~13.8	0.12	0.09	1.08	2400	0.68	23.9	1.46	0.06	28.0
PSAD18010BM	PR00/M000	12	6~13.8	0.16	0.12	1.44	2900	0.83	29.5	2.15	0.09	33.0
PSAD18010BH	MF00/MR00	12	6~13.8	0.24	0.16	1.92	3300	0.95	33.6	2.79	0.11	36.0

\* Specifications are subject to change without notice

