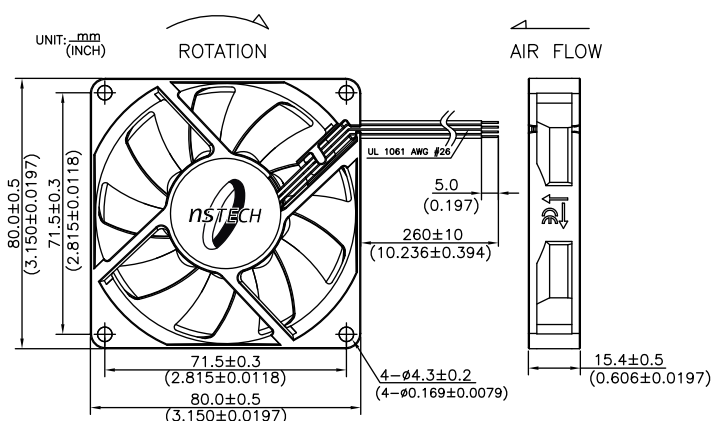


# Advance Series(PA) 80mmx80mmx15mm

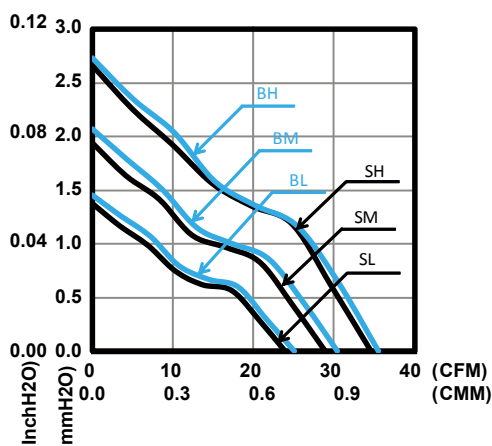


- Bearing Type: FLB, Sleeve, Ball Bearing
- Function Type (Optional): FG Signal
- Protection (Optional):  
Auto Restart Protection
- Lead Wire:  
UL 1061 AWG #26 OR Equivalent  
Red Wire : Positive (+)  
Black Wire : Negative (-)  
Yellow Wire : FG Signal

## DIMENSIONS DRAWING



## PERFORMANCE CURVES



## Specification

Model	Function Type	Rated Voltage	Operating Voltage	Rated Current	Input Current	Input Power	Rated Speed	Air Flow		Air Pressure		Noise
		VDC	VDC	Amp	Amp	Watt		RPM	CMM	CFM	mmH <sub>2</sub> O	
PAAD08015SL	0000/F000 P000/PF00	5	4~5.75	0.18	0.14	0.70	2000	0.68	23.9	1.37	0.05	22.5
PAAD08015SM		5	4~5.75	0.27	0.19	0.95	2400	0.82	28.9	1.94	0.08	26.5
PAAD08015SH		5	4~5.75	0.42	0.33	1.65	2800	0.98	34.6	2.66	0.11	31.5
PAAD18015SL(-)	0000/F000 P000/PF00	12	6~13.8	0.15	0.06	0.72	2000	0.68	23.9	1.37	0.05	22.5
PAAD18015SM(-)		12	6~13.8	0.25	0.10	1.20	2400	0.82	28.9	1.94	0.08	26.5
PAAD18015SH(-)		12	6~13.8	0.35	0.16	1.92	2800	0.98	34.6	2.66	0.11	31.5
PAAD28015SM(-)	0000/F000 P000/PF00	24	12~27.6	0.15	0.06	1.44	2400	0.82	28.9	1.94	0.08	26.5
PAAD28015SH-		24	12~26	0.25	0.11	2.64	2800	0.98	34.6	2.66	0.11	31.5
PAAD08015BL	0000/F000 P000/PF00	5	4~5.75	0.18	0.14	0.70	2100	0.71	25.1	1.46	0.06	22.5
PAAD08015BM		5	4~5.75	0.27	0.19	0.95	2500	0.86	30.4	2.07	0.08	28.5
PAAD08015BH		5	4~5.75	0.42	0.33	1.65	2900	1.01	35.5	2.73	0.11	33.0
PAAD18015BL(-)	0000/F000 P000/PF00	12	6~13.8	0.15	0.07	0.84	2100	0.71	25.1	1.46	0.06	22.5
PAAD18015BM(-)		12	6~13.8	0.25	0.10	1.20	2500	0.86	30.4	2.07	0.08	28.5
PAAD18015BH(-)		12	6~13.8	0.35	0.14	1.68	2900	1.01	35.5	2.73	0.11	33.0
PAAD28015BM(-)	0000/F000 P000/PF00	24	12~27.6	0.15	0.06	1.44	2500	0.86	30.4	2.07	0.08	28.5
PAAD28015BH-		24	12~26	0.25	0.11	2.64	2900	1.01	35.5	2.73	0.11	33.0

\* Specifications are subject to change without notice