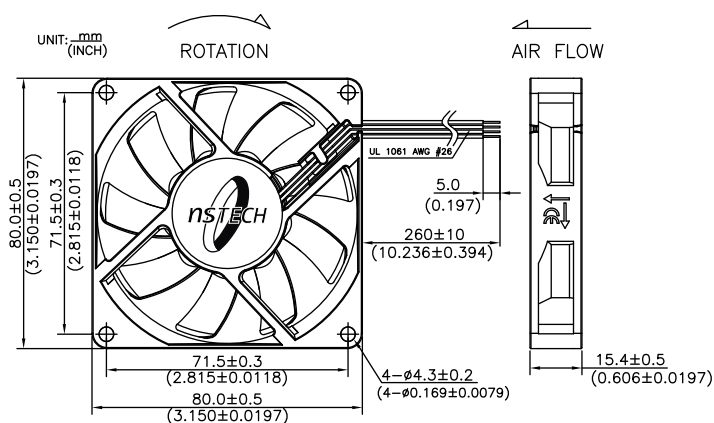


Superior Series(PS) 80mmx80mmx15mm

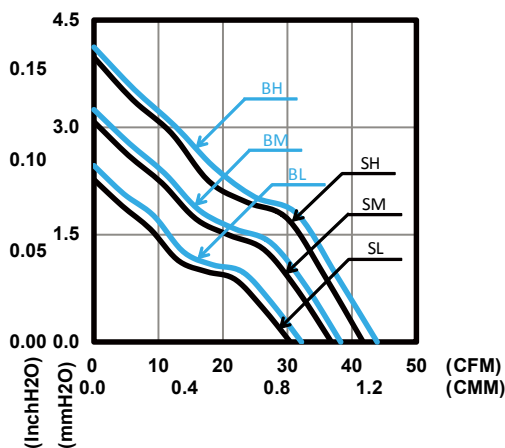


- Bearing Type : FLB, Ball Bearing
- Function Type (Optional): FG Signal, RD Signal, PWM
- Protection :
Auto Restart Protection, Polarity Reverse Protection
- Lead Wire :
UL 1061 AWG #26 OR Equivalent
Red Wire : Positive (+)
Black Wire : Negative (-)
Yellow Wire : FG Signal
White Wire : RD Signal
Blue Wire : PWM

DIMENSIONS DRAWING



PERFORMANCE CURVES



Specification

Model	Function Type	Rated Voltage	Operating Voltage	Rated Current	Input Current	Input Power	Rated Speed	Air Flow		Air Pressure		Noise
		VDC	VDC	Amp	Amp	Watt	RPM	CMM	CFM	mmH ₂ O	InH ₂ O	
PSAD08015SL	P000/PF00	5	4.5~5.5	0.22	0.17	0.85	2500	0.87	30.5	2.27	0.09	28.0
PSAD08015SM	PR00/M000	5	4.5~5.5	0.35	0.28	1.40	3000	1.04	36.8	3.08	0.12	32.5
PSAD18015SL	MF00/MR00	12	6~13.8	0.12	0.09	1.08	2500	0.87	30.5	2.27	0.09	28.0
PSAD18015SM	P000/PF00	12	6~13.8	0.20	0.16	1.92	3000	1.04	36.8	3.08	0.12	32.5
PSAD18015SH	PR00/M000	12	6~13.8	0.24	0.19	2.28	3400	1.18	41.8	3.98	0.16	36.5
PSAD08015BL	MF00/MR00	5	4.5~5.5	0.22	0.16	0.80	2600	0.91	32.3	2.46	0.10	28.5
PSAD08015BM	P000/PF00	5	4.5~5.5	0.35	0.26	1.30	3100	1.09	38.3	3.25	0.13	35.0
PSAD18015BL	PR00/M000	12	6~13.8	0.12	0.09	1.08	2600	0.91	32.3	2.46	0.10	28.5
PSAD18015BM	MF00/MR00	12	6~13.8	0.20	0.15	1.80	3100	1.09	38.3	3.25	0.13	35.0
PSAD18015BH	P000/PF00	12	6~13.8	0.24	0.18	2.16	3500	1.25	44.0	4.13	0.16	38.0

* Specifications are subject to change without notice

