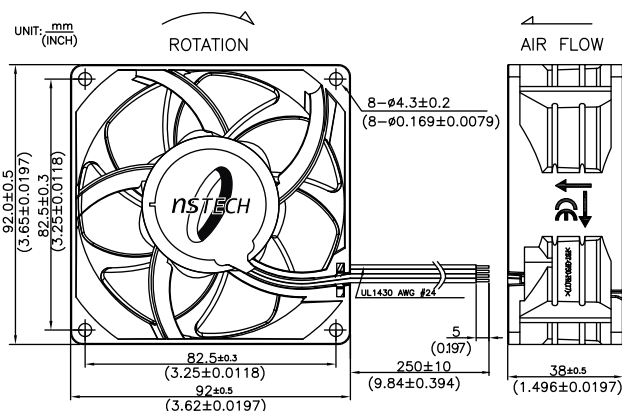


Excellence Series(PE) 92mmx92mmx38mm

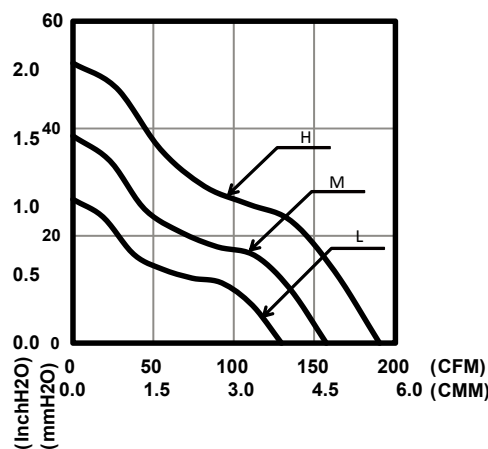


- Bearing Type : Ball Bearing
- Function Type (Optional): FG Signal, RD Signal, PWM
- Protection :
Auto Restart Protection, Polarity Reverse Protection
- Lead Wire :
UL 1430 AWG #24 OR Equivalent
Red Wire : Positive (+)
Black Wire : Negative (-)
Yellow Wire : FG Signal
White Wire : RD Signal
Blue Wire : PWM

DIMENSIONS DRAWING



PERFORMANCE CURVES



PE SERIES

Specification

Model	Function Type	Rated Voltage	Operating Voltage	Rated Current	Input Current	Input Power	Rated Speed	Air Flow		Air Pressure		Noise
		VDC	VDC	Amp	Amp	Watt		RPM	CMM	CFM	mmH ₂ O	
PEAD19238BL	P000/PF00	12	6~13.8	1.88	1.50	18.00	6200	3.66	129.4	26.80	1.05	55.0
PEAD19238BM	PR00/M000	12	6~13.8	2.88	2.30	27.60	7500	4.46	157.4	38.54	1.52	59.0
PEAD19238BH	MF00/MR00	12	6~13.2	5.00	4.00	48.00	9000	5.40	190.5	52.19	2.05	65.0
PEAD29238BL	P000/PF00	24	16~27.6	0.84	0.67	16.08	6200	3.66	129.4	26.80	1.05	55.0
PEAD29238BM	PR00/M000	24	16~27.6	1.44	1.15	27.60	7500	4.46	157.4	38.54	1.52	59.0
PEAD29238BH	MF00/MR00	24	16~27.6	2.50	2.00	48.00	9000	5.40	190.5	52.19	2.05	65.0
PEAD49238BL	P000/PF00	48	30~55.2	0.45	0.36	17.28	6200	3.66	129.4	26.80	1.05	55.0
PEAD49238BM	PR00/M000	48	30~55.2	0.69	0.55	26.40	7500	4.46	157.4	38.54	1.52	59.0
PEAD49238BH	MF00/MR00	48	30~55.2	1.19	0.95	45.60	9000	5.40	190.5	52.19	2.05	65.0

* Specifications are subject to change without notice