

## 4 Pin / 16 Pin Half Pitch Products

### 4 Pin Transistor Output

Part Number	Features	Current transfer Ratio $I_F = 5\text{mA}$ $V_{CE} = 5\text{V}$	Isolation Voltage	Continuous Forward Current	$V_F$ $I_F = 20\text{mA}$	$BV_{CEO}$ $I_C = 0.1\text{mA}$	$I_{CEO}$ $V_{CE} = 20\text{V}$	$V_{CE(SAT)}$ $I_F = 10\text{mA}$ $I_C = 1\text{mA}$
		Min (%)	Min ( $KV_{RMS}$ )	Max (mA)	Max (V)	Min (V)	Max (nA)	Max (V)
IS281	Single channel Optocoupler with Phototransistor Output	50-600 $I_F = 10\text{mA}$ $V_{CE} = 5\text{V}$	3.75	60	1.4	80	100	0.2
IS2801-1		50-600						

### 4 Pin Long Creepage Transistor Output

Part Number	Features	Current transfer Ratio $I_F = 10\text{mA}$ $V_{CE} = 5\text{V}$	Isolation Voltage	Continuous Forward Current	$V_F$ $I_F = 50\text{mA}$	$BV_{CEO}$ $I_C = 0.1\text{mA}$	$I_{CEO}$ $V_{CE} = 20\text{V}$	$V_{CE(SAT)}$ $I_F = 10\text{mA}$ $I_C = 1\text{mA}$
		Min (%)	Min ( $KV_{RMS}$ )	Max (mA)	Max (V)	Min (V)	Max (nA)	Max (V)
ISLT1102	Single channel Optocoupler with Phototransistor Output	63-125	5	60	1.5	80	100	0.3

### 16 Pin Transistor Output

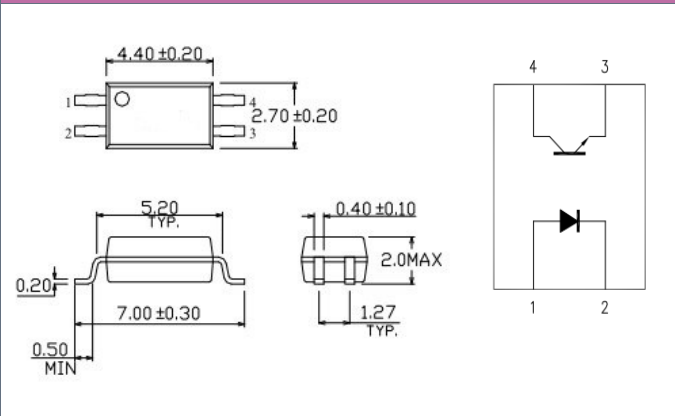
Part Number	Features	Current transfer Ratio $I_F = 5\text{mA}$ $V_{CE} = 5\text{V}$	Isolation Voltage	Continuous Forward Current	$V_F$ $I_F = 20\text{mA}$	$BV_{CEO}$ $I_C = 0.1\text{mA}$	$I_{CEO}$ $V_{CE} = 50\text{V}$	$V_{CE(SAT)}$ $I_F = 2.4\text{mA}$ $I_C = 8\text{mA}$
		Min (%)	Min ( $KV_{RMS}$ )	Max (mA)	Max (V)	Min (V)	Max (nA)	Max (V)
IS281-4	Four channel Optocoupler with Phototransistor Output	50-600	3.75	50	1.4	80	100	0.4
IS2801-4								

### 4 Pin AC Input

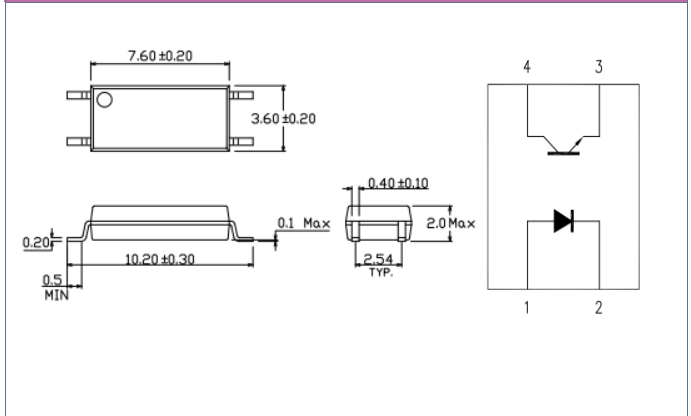
Part Number	Features	Current transfer Ratio $I_F = \pm 10\text{mA}$ $V_{CE} = 5\text{V}$	Isolation Voltage	Continuous Forward Current	$V_F$ $I_F = \pm 20\text{mA}$	$BV_{CEO}$ $I_C = 0.1\text{mA}$	$I_{CEO}$ $V_{CE} = 20\text{V}$	$V_{CE(SAT)}$ $I_F = \pm 10\text{mA}$ $I_C = 1\text{mA}$
		Min (%)	Min ( $KV_{RMS}$ )	Max (mA)	Max (V)	Min (V)	Max (nA)	Max (V)
IS3H4	Single channel Optocoupler with Phototransistor Output	100-600	3.75	$\pm 60$	1.4	80	100	0.2

## 4 Pin / 16 Pin Half Pitch Products

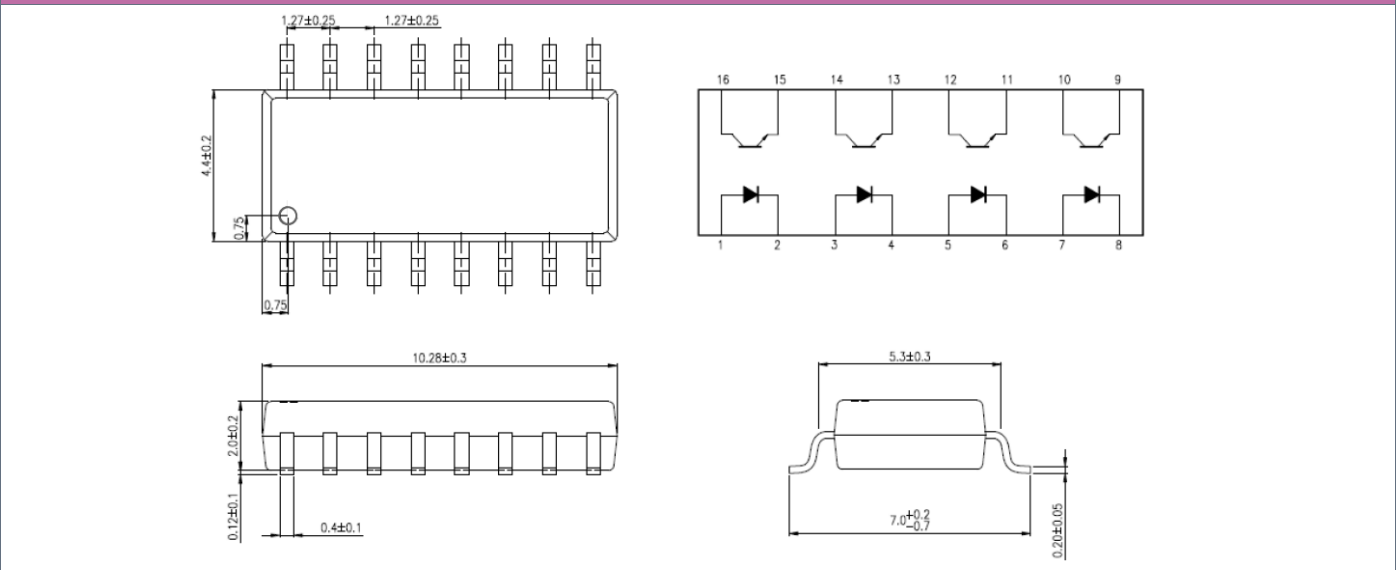
### 4 Pin Transistor Output



### 4 Pin Long Creepage Transistor Output



### 16 Pin Transistor Output



### 4 Pin AC Input Transistor Output

