

# 1Mbits/s

## Single Channel

Part Number	Features	Isolation Voltage	Continuous Forward Current	V <sub>CC</sub>	V <sub>O</sub>	I <sub>B</sub>	Current Transfer Ratio	t <sub>PLH</sub> , t <sub>PHL</sub>	CM <sub>H</sub>	CM <sub>L</sub>
		Min (KV <sub>RMS</sub> )	Max (mA)	Max (V)	Max (V)	Max (mA)	Min (%)	Max (μs)	Min (V/μs)	Min (V/μs)
6N135	Single Channel Optocoupler with a High Speed Photo Detector Transistor Output	5	25	30	20	5	V <sub>CC</sub> = 4.5V I <sub>F</sub> = 16mA V <sub>O</sub> = 0.4V	V <sub>CC</sub> = 5V I <sub>F</sub> = 16mA R <sub>L</sub> = 4.1kΩ	V <sub>CC</sub> = 5V I <sub>F</sub> = 0mA V <sub>OH</sub> = 2V R <sub>L</sub> = 4.1kΩ V <sub>CM</sub> = 10Vp-p	V <sub>CC</sub> = 5V I <sub>F</sub> = 16mA V <sub>OL</sub> = 0.8V R <sub>L</sub> = 4.1kΩ V <sub>CM</sub> = 10Vp-p
6N136							7-50	1.5	1000	1000
ICPL4502							19-50	0.8	1000	1000
ICPL4503							15000	15000		

## Half Pitch Single Channel

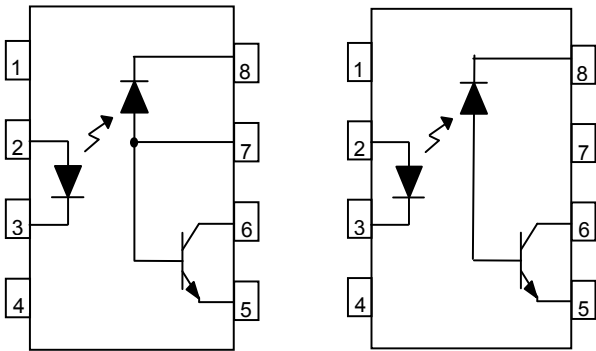
Part Number	Features	Isolation Voltage	Continuous Forward Current	V <sub>CC</sub>	V <sub>O</sub>	I <sub>B</sub>	Current Transfer Ratio	t <sub>PLH</sub> , t <sub>PHL</sub>	CM <sub>H</sub>	CM <sub>L</sub>
		Min (KV <sub>RMS</sub> )	Max (mA)	Max (V)	Max (V)	Max (mA)	Min (%)	Max (μs)	Min (V/μs)	Min (V/μs)
ICPL0500	Single Channel Optocoupler with a High Speed Photo Detector Transistor Output	3.75	25	30	20	5	V <sub>CC</sub> = 4.5V I <sub>F</sub> = 16mA V <sub>O</sub> = 0.4V	V <sub>CC</sub> = 5V I <sub>F</sub> = 16mA R <sub>L</sub> = 4.1kΩ	V <sub>CC</sub> = 5V I <sub>F</sub> = 0mA V <sub>OH</sub> = 2V R <sub>L</sub> = 4.1kΩ V <sub>CM</sub> = 10Vp-p	V <sub>CC</sub> = 5V I <sub>F</sub> = 16mA V <sub>OL</sub> = 0.8V R <sub>L</sub> = 4.1kΩ V <sub>CM</sub> = 10Vp-p
ICPL0501							7-50	1.5	1000 Typical	1000 Typical
ICPL0452							19-50	0.8	1000 Typical	1000 Typical
ICPL0453							15000	15000		

## Dual Channel

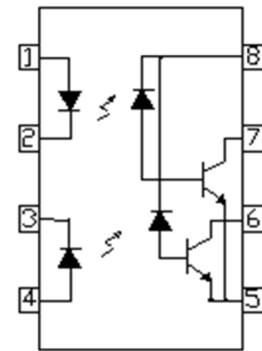
Part Number	Features	Isolation Voltage	Continuous Forward Current	V <sub>CC</sub>	V <sub>O</sub>	I <sub>B</sub>	Current Transfer Ratio	t <sub>PLH</sub> , t <sub>PHL</sub>	CM <sub>H</sub>	CM <sub>L</sub>
		Min (KV <sub>RMS</sub> )	Max (mA)	Max (V)	Max (V)	Max (mA)	Min (%)	Max (μs)	Min (V/μs)	Min (V/μs)
ICPL2530	Dual Channel Optocoupler with a High Speed Photo Detector Transistor Output	5	25	30	20	5	V <sub>CC</sub> = 4.5V I <sub>F</sub> = 16mA V <sub>O</sub> = 0.4V	V <sub>CC</sub> = 5V I <sub>F</sub> = 16mA R <sub>L</sub> = 4.1kΩ	V <sub>CC</sub> = 5V I <sub>F</sub> = 0mA V <sub>OH</sub> = 2V R <sub>L</sub> = 4.1kΩ V <sub>CM</sub> = 10Vp-p	V <sub>CC</sub> = 5V I <sub>F</sub> = 16mA V <sub>OL</sub> = 0.8V R <sub>L</sub> = 4.1kΩ V <sub>CM</sub> = 10Vp-p
ICPL2531							7-50	1.5	1000	1000

# 1Mbits/s

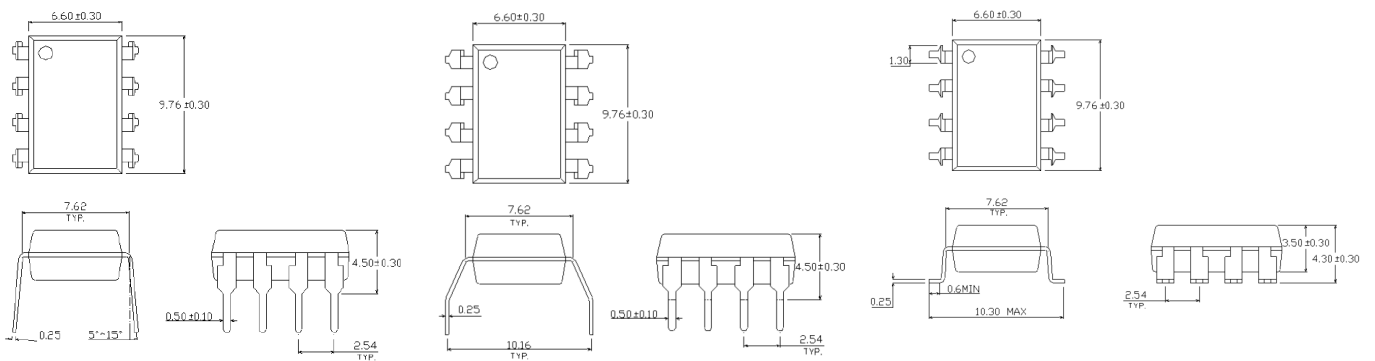
## 1Mbps Single Channel



## 1Mbps Dual Channel



## Standard Packages



## Half Pitch Package

