

# 10Mbits/s

## Single Channel

Part Number	Features	Isolation Voltage	Continuous Forward Current	V <sub>CC</sub>	V <sub>O</sub>	V <sub>E</sub>	I <sub>FT</sub>	t <sub>PHL</sub> , t <sub>PLH</sub>	PWD	CM <sub>H</sub>	CM <sub>L</sub>
		Min (KV <sub>RMS</sub> )	Max (mA)	Max (V)	Max (V)	Max (V)	Max (mA)	Max (ns)	Max (ns)	Min (V/μs)	Min (V/μs)
6N137	Single Channel Optocoupler with a High Speed Strobable Integrated Photo Detector Logic Gate Output	5	50	7.0	7.0	5.5	5	75	35	1000 Ref	1000 Ref
ICPL2601										5000 V <sub>CM</sub> = 50Vp-p	5000 V <sub>CM</sub> = 50Vp-p
ICPL2611										10000 V <sub>CM</sub> = 400Vp-p	10000 V <sub>CM</sub> = 400Vp-p

## Half Pitch Single Channel

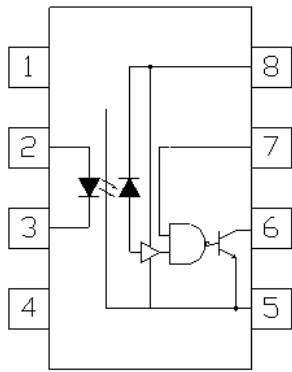
Part Number	Features	Isolation Voltage	Continuous Forward Current	V <sub>CC</sub>	V <sub>O</sub>	V <sub>E</sub>	I <sub>FT</sub>	t <sub>PHL</sub> , t <sub>PLH</sub>	PWD	CM <sub>H</sub>	CM <sub>L</sub>
		Min (KV <sub>RMS</sub> )	Max (mA)	Max (V)	Max (V)	Max (V)	Max (mA)	Max (ns)	Max (ns)	Min (V/μs)	Min (V/μs)
ICPL0600	Single Channel Optocoupler with a Strobable High Speed Integrated Photo Detector Logic Gate Output	3.75	20	7.0	7.0	5.5	5	75	35	1000 Ref	1000 Ref
ICPL0601										5000 V <sub>CM</sub> = 50Vp-p	5000 V <sub>CM</sub> = 50Vp-p
ICPL0611										10000 V <sub>CM</sub> = 400Vp-p	10000 V <sub>CM</sub> = 400Vp-p

## Dual Channel

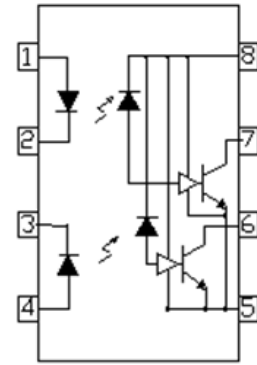
Part Number	Features	Isolation Voltage	Continuous Forward Current per Channel	V <sub>CC</sub>	V <sub>O</sub>	I <sub>FT</sub>	t <sub>PHL</sub> , t <sub>PLH</sub>	PWD	CM <sub>H</sub>	CM <sub>L</sub>
		Min (KV <sub>RMS</sub> )	Max (mA)	Max (V)	Max (V)	Max (mA)	Max (ns)	Max (ns)	Min (V/μs)	Min (V/μs)
ICPL2630	Dual Channel Optocoupler with a Strobable High Speed Integrated Photo Detector Logic Gate Output	5	20	7.0	7.0	5	100	35	5000	5000
ICPL2631									10000	10000

# 10Mbps/s

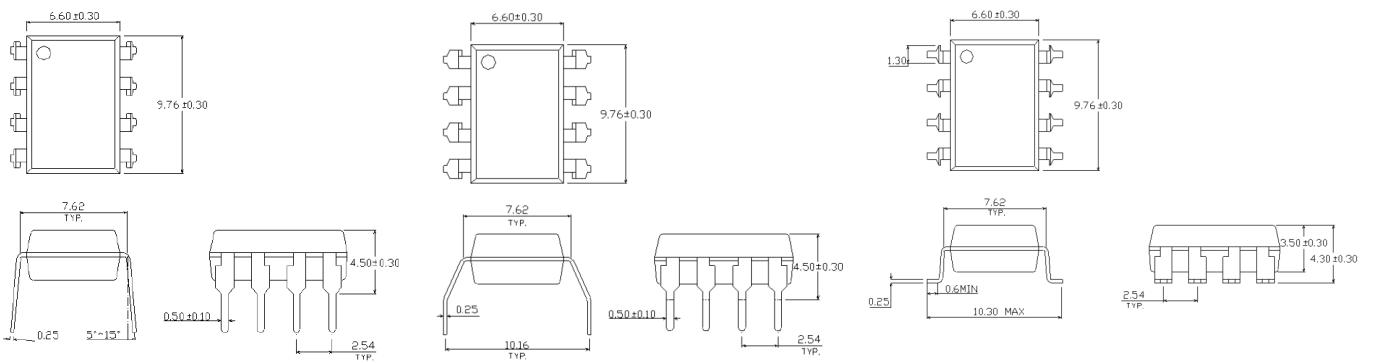
## 10Mbps Single Channel



## 10Mbps Dual Channel



## Standard Packages



## Half Pitch Package

