

B5015 Series 50mmx50mmx15mm

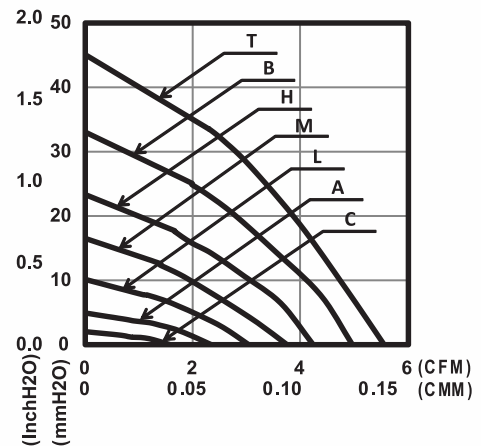
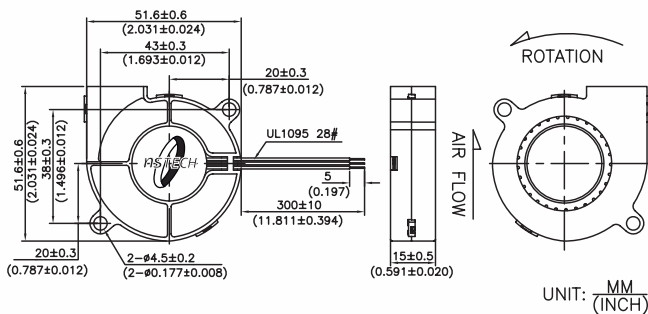


- Bearing Type : Ball Bearing
- Function Type (Optional) : FG Signal, RD Signal
- Protection :
 - Auto Restart Protection, Polarity Reverse Protection
- Lead Wire :
 - UL 1095 AWG #28 OR Equivalent
 - Red Wire : Positive (+)
 - Black Wire : Negative (-)
 - Yellow Wire : FG Signal
 - White Wire : RD Signal



PERFORMANCE CURVES

DIMENSIONS DRAWING



Specification		Rated Voltage	Operating Voltage	Rated Current	Input Current	Input Power	Rated Speed	Air Flow		Air Pressure		Noise
Model	Function							VDC	VDC	Amp	Amp	
PABD05015BC (-) Yxxx	0000/P000 F000/R000 PF00/PRO0 M000/MF00 MR00	5	4~5.5	0.06	0.04	0.20	2500	0.04	1.53	2.2	0.08	17.5
PABD05015BA (-) Yxxx		5	4~5.5	0.10	0.07	0.35	3500	0.07	2.33	5.0	0.20	27.0
PABD05015BL (-) Yxxx		5	4~5.5	0.15	0.14	0.70	4500	0.09	3.04	10.2	0.40	35.0
PABD05015BM (-) Yxxx		5	4~5.5	0.25	0.19	0.95	5500	0.11	3.76	16.6	0.65	39.5
PABD05015BH (-) Yxxx		5	4~5.5	0.35	0.30	1.50	6500	0.12	4.23	23.3	0.92	44.0
PABD15015BC (-) Yxxx		12	9~13.8	0.03	0.03	0.36	2500	0.04	1.53	2.2	0.08	17.5
PABD15015BA (-) Yxxx		12	9~13.8	0.05	0.04	0.48	3500	0.07	2.33	5.0	0.20	27.0
PABD15015BL (-) Yxxx		12	9~13.8	0.08	0.06	0.72	4500	0.09	3.04	10.2	0.40	35.0
PABD15015BM (-) Yxxx		12	6~13.8	0.15	0.11	1.32	5500	0.11	3.76	16.6	0.65	39.5
PABD15015BH (-) Yxxx		12	6~13.8	0.22	0.21	2.52	6500	0.12	4.23	23.3	0.92	44.0
PABD15015BB (-) Yxxx		12	6~13.2	0.35	0.25	3.00	7500	0.14	4.97	33.1	1.30	47.5
PABD15015BT (-) Yxxx		12	6~13.8	0.40	0.35	4.20	8500	0.16	5.55	45.1	1.78	50.0

* Function type : Y is the 1st letter of suffix number of model number which denotes special models designed for specific applications. x denotes unassigned suffix number of model number. Final model number will be followed by 4-digit suffix number upon completion of customization. Please contact us for customization consultation.

* The data shows typical value at rated voltage.

* Sound level is measured at the distance of one meter from fan intake side.

* Specifications are subject to change without notice.