

B7020 Series 70mmx70mmx20mm

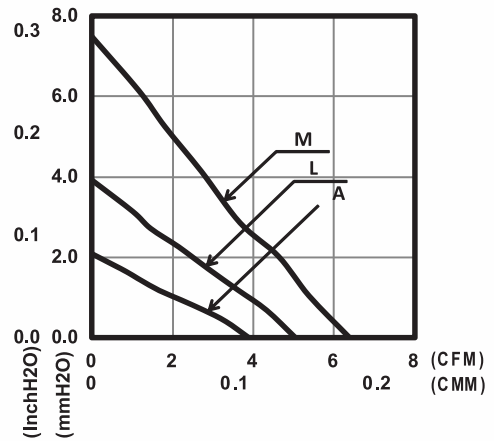
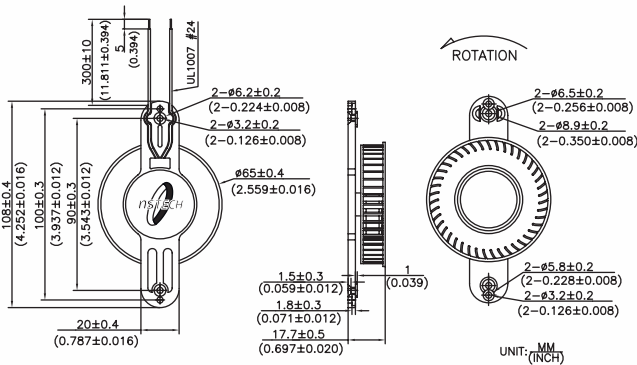


- Bearing Type : Long Life, Sleeve
- Function Type (Optional) : FG Signal, RD Signal, PWM
- Lead Wire :
 - UL 1007 AWG #24 OR Equivalent
 - Red Wire : Positive (+)
 - Black Wire : Negative (-)
 - Yellow Wire : FG Signal
 - White Wire : RD Signal
 - Blue Wire : PWM



PERFORMANCE CURVES

DIMENSIONS DRAWING



Specification

Model	Function	Rated Voltage	Operating Voltage	Rated Current	Input Current	Input Power	Rated Speed	Air Flow		Air Pressure		Noise
		VDC	VDC	Amp	Amp	Watt	RPM	CMM	CFM	mmH ₂ O	InH ₂ O	dBA
PABD17020SA Yxxx	0000/F000	12	8~13.8	0.05	0.03	0.36	1500	0.11	3.89	2.09	0.08	16.0
PABD17020SL Yxxx	R000/M000	12	6~13.8	0.10	0.09	1.08	2000	0.14	5.05	3.91	0.15	21.5
PABD17020SM Yxxx	MF00/MR00	12	6~13.8	0.15	0.12	1.44	2500	0.18	6.39	7.49	0.29	28.5

* Function type : Y is the 1st letter of suffix number of model number which denotes special models designed for specific applications. x denotes unassigned suffix number of model number. Final model number will be followed by 4-digit suffix number upon completion of customization. Please contact us for customization consultation.

* The data shows typical value at rated voltage.

* Sound level is measured at the distance of one meter from fan intake side.

* Specifications are subject to change without notice.