

# B1225 Series 120mmx120mmx25mm

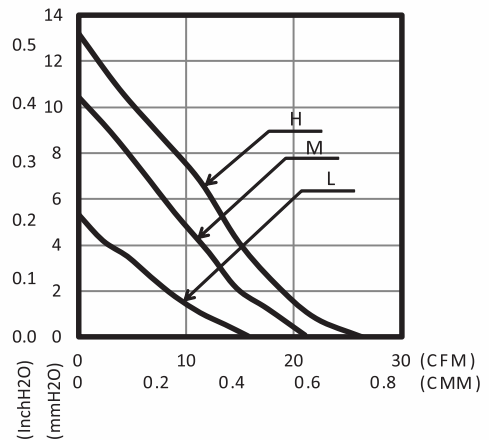
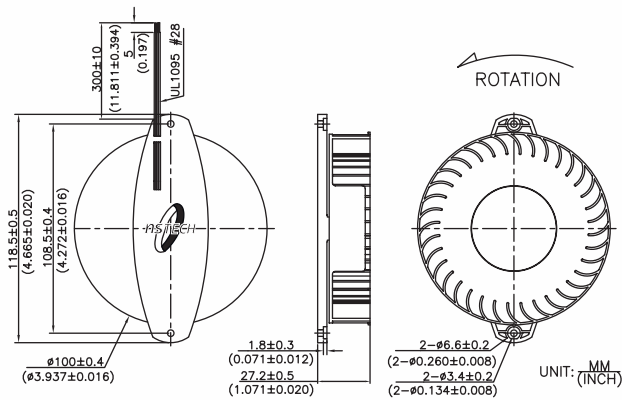


- Bearing Type : Long Life, Sleeve
- Function Type (Optional) : FG Signal, RD Signal, PWM
- Protection :  
Auto Restart Protection
- Lead Wire :  
UL 1095 AWG #28 OR Equivalent  
Red Wire : Positive (+)  
Black Wire : Negative (-)  
Yellow Wire : FG Signal  
White Wire : RD Signal  
Blue Wire : PWM



## PERFORMANCE CURVES

## DIMENSIONS DRAWING



BLOWER FAN

Specification		Rated Voltage	Operating Voltage	Rated Current	Input Current	Input Power	Rated Speed	Air Flow		Air Pressure		Noise
Model	Function							VDC	VDC	Amp	Amp	
PABD1A225SL(-) Yxxx	0000/P000	12	9~13.8	0.18	0.15	1.80	1200	0.44	15.7	5.34	0.21	25.5
PABD1A225SM(-) Yxxx	F000/R000	12	9~13.8	0.45	0.34	4.08	1600	0.59	21.0	10.42	0.41	35.0
PABD1A225SH- Yxxx	PF00/PR00	12	9~13.8	0.90	0.54	6.48	2000	0.75	26.3	13.20	0.52	41.5
PABD2A225SL(-) Yxxx	M000/MF00	24	18~26.4	0.15	0.11	2.64	1200	0.44	15.7	5.34	0.21	25.5

\* Function type : Y is the 1st letter of suffix number of model number which denotes special models designed for specific applications. x denotes unassigned suffix number of model number. Final model number will be followed by 4-digit suffix number upon completion of customization. Please contact us for customization consultation.  
 \* The data shows typical value at rated voltage.  
 \* Sound level is measured at the distance of one meter from fan intake side.  
 \* Specifications are subject to change without notice.